

# **AW-CU300A series**

## **IEEE 802.11 1X1 b/g/n Wireless LAN WLAN Microcontroller LGA Module**

### **Reference Design Guide**

**Rev. 01**

(For Standard)

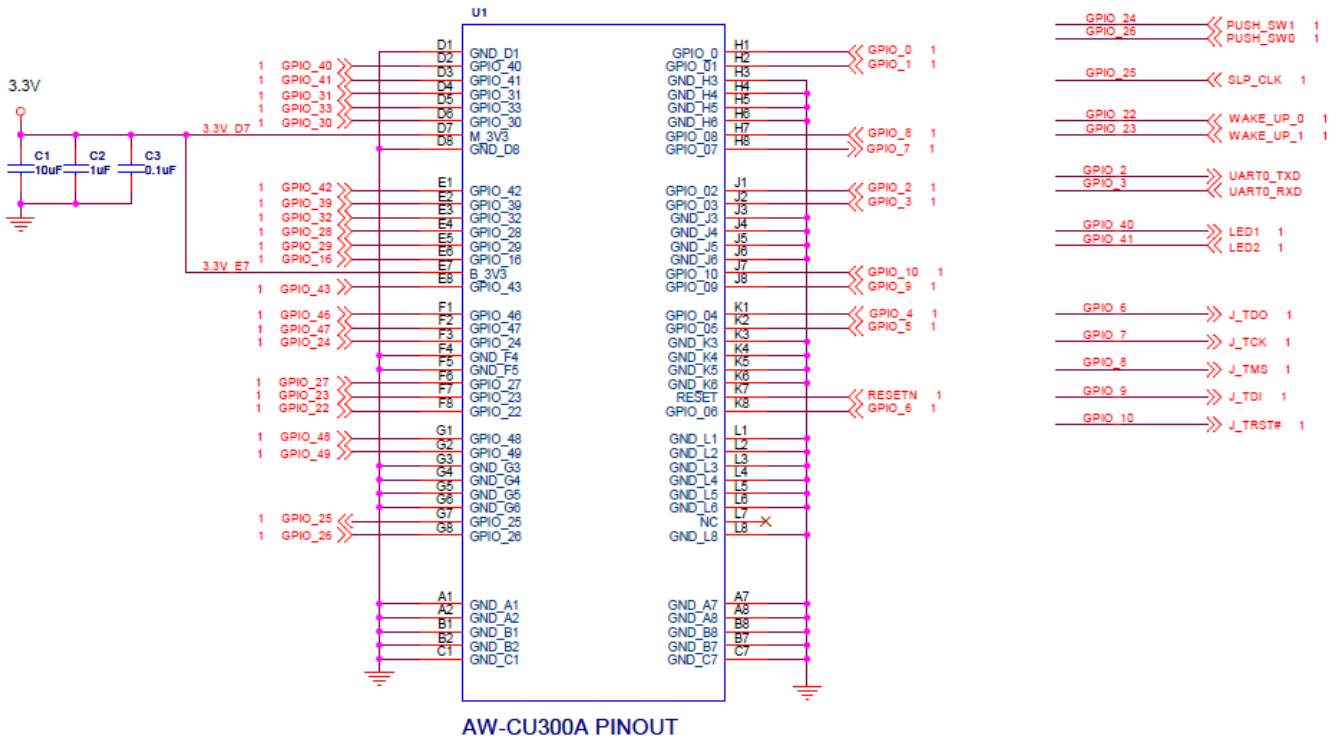
## Revision History

Version	Revision Date	Description	Initials	Approved
01	2020/9/08	● Initial Version	Renton Tao	N.C. Chen

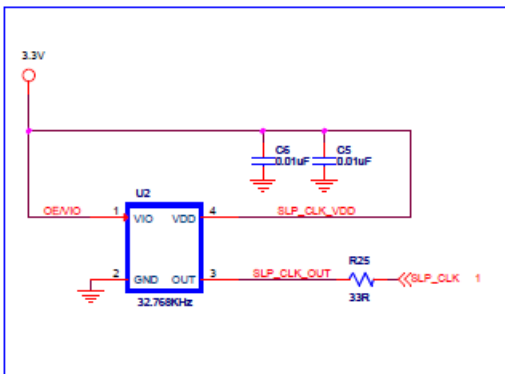
# OVERVIEW

This document is used for AW-CU300A, AW-CU300A V2, and AW-CU300A V3.

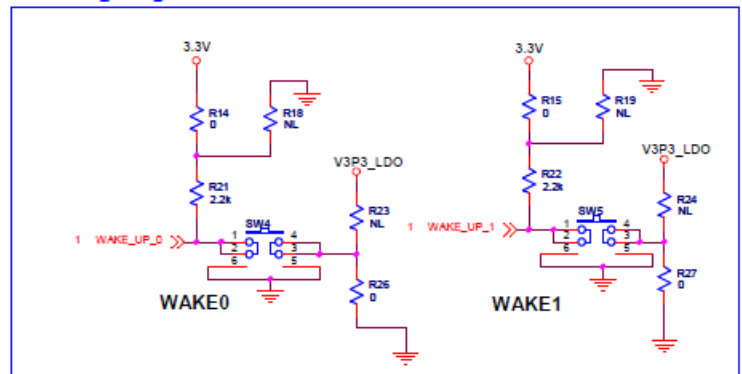
## AW-CU300A Module Pinout



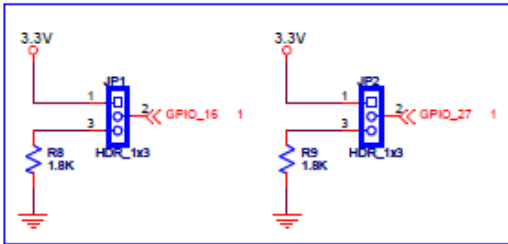
### Sleeping Clock (Option by software)



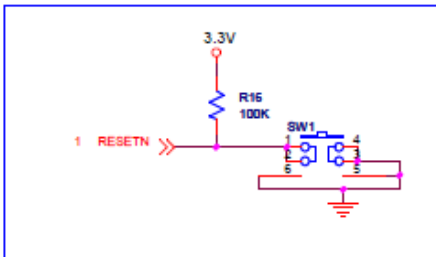
### Wakeup by external



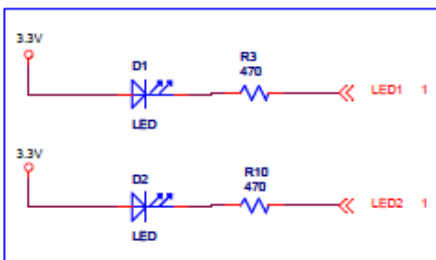
### Boots option



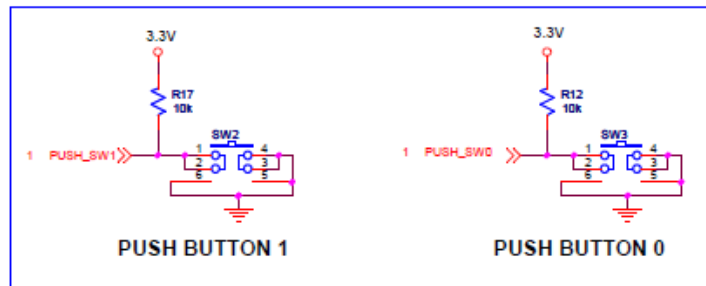
### System reset



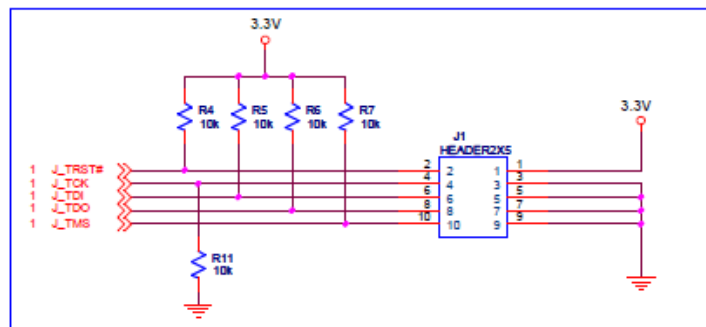
### APPLICATION LEDs



### PUSH BUTTON



### JTAG INTERFACE



## GPIO FUCTION

GPIO	Function
GPIO_00	UART0_CTS
GPIO_01	UART0_RTS
GPIO_02	UART0_TXD
GPIO_03	UART0_RXD
GPIO_6	J_TDO
GPIO_7	J_TCK / UART2_CTS
GPIO_8	J_TMS / UART2_RTS
GPIO_9	J_TDI / UART2_TXD
GPIO_10	J_TRST# / UART2_RXD
GPIO_16	STRAP1
GPIO_22	WAKE0
GPIO_23	WAKE1
GPIO_24	PUSH_SW1
GPIO_25	32KHz_CLK_IN
GPIO_26	PUSH_SW0
GPIO_27	STRAP0
GPIO_40	LED1
GPIO_41	LED2